

1 2 3 4 5 6 7 8

版次 (Version)	变更内容 (Rev. Content)	变更者 (Change Person)

A

B

C

D

E

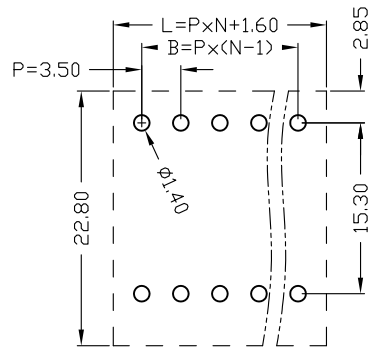
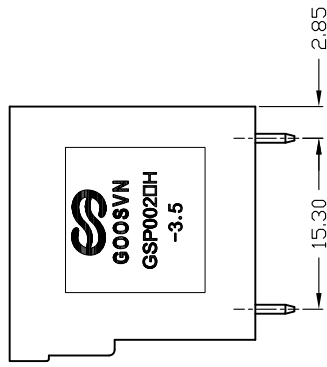
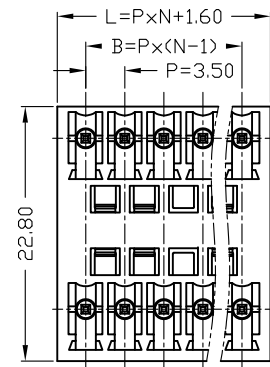
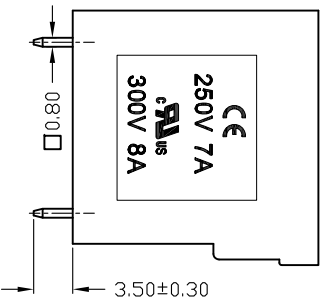
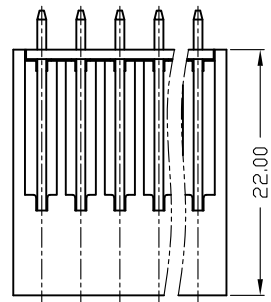
A

B

C

D

E



PCB LAYOUT

技术参数 (Technical Data)		
项目 (Item)	UL	IEC
额定电气参数 (Rated Electrical Parameters)	300V/8A	250V/7A
压线范围 (Wire Range)	/	/
工频耐压 (Frequency Voltage)	AC 2000V	
冲击耐压 (Rated Surge Voltage)	4000V	
绝缘阻抗 (Insulation Resistance)	DC500V 500MΩ above	
接触电阻 (Contact Resistance)	≤8mΩ	
剥线长度 (Stripping Length)	/	
工作温度 (Temperature)	-40℃~+105℃	
材质和电镀 (Material and plating)		
绝缘材质 (Housing)	PA66 (UL94 V-0)	
触点材料 (Contact)	铜合金, 镀锡 (Copper alloy, Sn plated)	
/	/	

产品命名编码:

(Product Number Code):

GSP002SH-3.5-2*XXP-1Y-00A (H)

产品型号 (Series No.)

客户需求

(Customer Request)

极数 (No. of poles)

塑体颜色 (Housing Color)

- 1: 单倍间距 (Single Pitch)
- 2: 双倍间距 (Double Pitch)

- 1: 绿色 (Green)
- 2: 蓝色 (Blue)
- 3: 黑色 (Black)
- 4: 灰色 (Grey)
- 5: 橙色 (Orange)
- 6: 红色 (Red)
- 7: 透明色 (Transparent)
- 8: 白色 (White)
- 9: 黄色 (Yellow)
- Y: 多种颜色 (Mixed Color)

P=3.5mm, N为孔位数 (N for hole digits); 有效位数为 (Significant Digits): 2* (02P~24P)

N	2*02P	2*03P	2*04P	2*05P	2*06P	2*07P	2*08P	2*09P	2*10P	2*11P	2*12P	2*13P
L	8.60	12.10	15.60	19.10	22.60	26.10	29.60	33.10	36.60	40.10	43.60	47.10
B	3.50	7.00	10.50	14.00	17.50	21.00	24.50	28.00	31.50	35.00	38.50	42.00
N	2*14P	2*15P	2*16P	2*17P	2*18P	2*19P	2*20P	2*21P	2*22P	2*23P	2*24P	
L	50.60	54.10	57.60	61.10	64.60	68.10	71.60	75.10	78.60	82.10	85.60	
B	45.50	49.00	52.50	56.00	59.50	63.00	66.50	70.00	73.50	77.00	80.50	

宁波高胜电子有限公司
NINGBO GOOSVN ELECTRONIC CO.,LTD

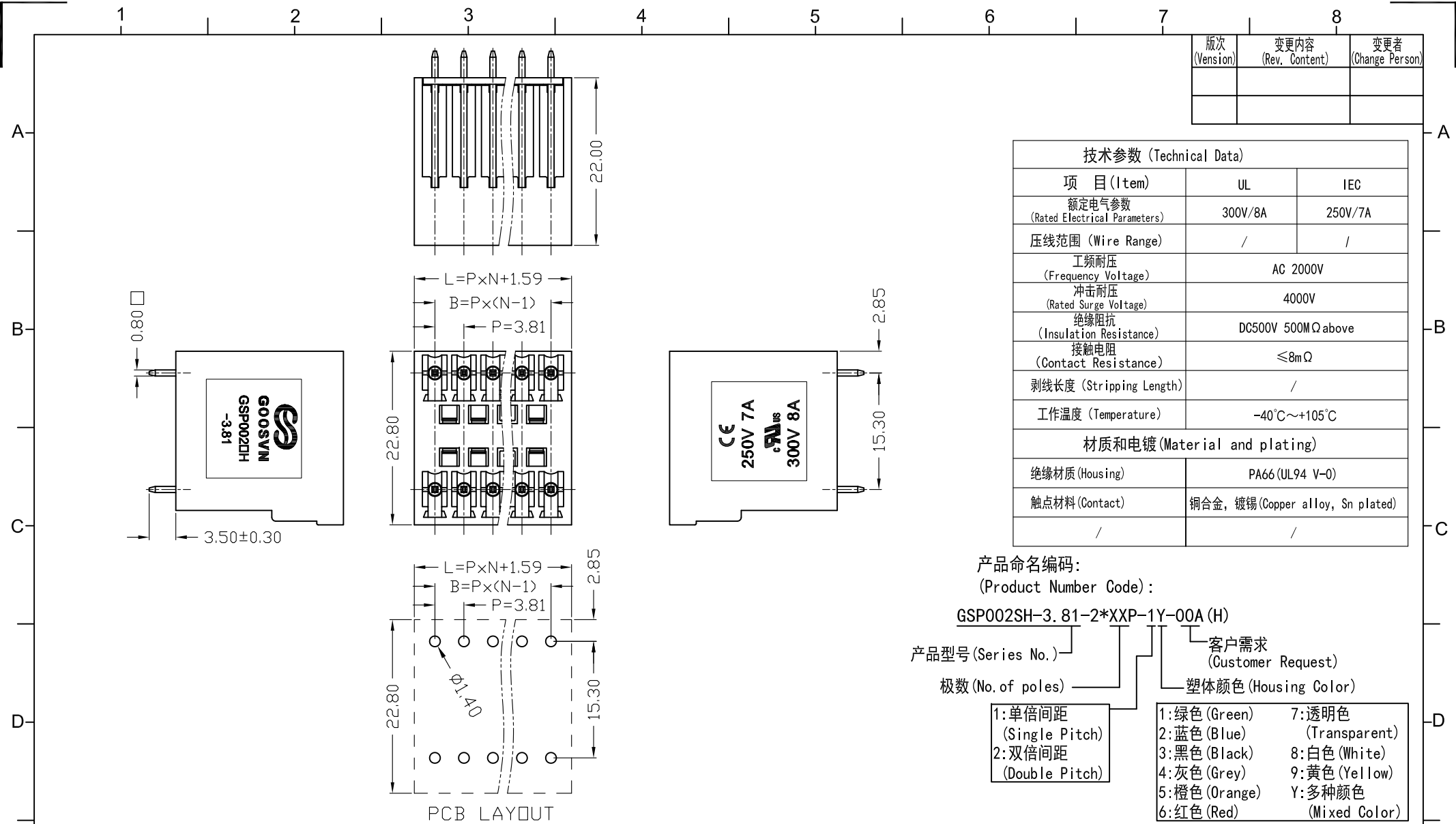
公差范围 (Tolerance Range)

150~	±1.50
60~150	±1.00
30~60	±0.60
6~30	±0.40
0~6	±0.25

型号 (Type): GSP002SH-3.5-2*XXP-1Y-00A (H)

核准 (Approval):	图号 (Drawing NO.):	
审核 (Audit):	单位 (Units): mm	页码 (Page): 1/1
设计 (Design):	比例 (Scale): FULL	版次 (Version): T0

1 2 3 4 5 6 7 8



版次 (Version)	变更内容 (Rev. Content)	变更者 (Change Person)

技术参数 (Technical Data)		
项目 (Item)	UL	IEC
额定电气参数 (Rated Electrical Parameters)	300V/8A	250V/7A
压线范围 (Wire Range)	/	/
工频耐压 (Frequency Voltage)	AC 2000V	
冲击耐压 (Rated Surge Voltage)	4000V	
绝缘阻抗 (Insulation Resistance)	DC500V 500MΩ above	
接触电阻 (Contact Resistance)	≤8mΩ	
剥线长度 (Stripping Length)	/	
工作温度 (Temperature)	-40°C~+105°C	
材质和电镀 (Material and plating)		
绝缘材质 (Housing)	PA66 (UL94 V-0)	
触点材料 (Contact)	铜合金, 镀锡 (Copper alloy, Sn plated)	
/	/	

产品命名编码:

(Product Number Code):

GSP002SH-3.81-2*XXP-1Y-00A (H)

产品型号 (Series No.)

客户需求 (Customer Request)

极数 (No. of poles)

塑体颜色 (Housing Color)

- 1: 单倍间距 (Single Pitch)
- 2: 双倍间距 (Double Pitch)

- 1: 绿色 (Green)
- 2: 蓝色 (Blue)
- 3: 黑色 (Black)
- 4: 灰色 (Grey)
- 5: 橙色 (Orange)
- 6: 红色 (Red)
- 7: 透明色 (Transparent)
- 8: 白色 (White)
- 9: 黄色 (Yellow)
- Y: 多种颜色 (Mixed Color)

P=3.81mm, N为孔位数 (N for hole digits); 有效位数为 (Significant Digits): 2* (02P~24P)

N	2*02P	2*03P	2*04P	2*05P	2*06P	2*07P	N	2*08P	2*09P	2*10P	2*11P	2*12P	2*13P
L	9.22	13.03	16.84	20.65	24.46	28.27	L	32.08	35.89	39.70	43.51	47.32	51.13
B	3.81	7.62	11.43	15.24	19.05	22.86	B	26.67	30.48	34.29	38.10	41.91	45.72
N	2*14P	2*15P	2*16P	2*17P	2*18P	2*19P	N	2*20P	2*21P	2*22P	2*23P	2*24P	
L	54.94	58.75	62.56	66.37	70.18	73.99	L	77.80	81.61	85.42	89.23	93.04	
B	49.53	53.34	57.15	60.96	64.77	68.58	B	72.39	76.20	80.01	83.82	87.63	

宁波高胜电子有限公司
NINGBO GOOSVN ELECTRONIC CO.,LTD

公差范围 (Tolerance Range)

150~	±1.50
60~150	±1.00
30~60	±0.60
6~30	±0.40
0~6	±0.25

型号 (Type): GSP002SH-3.81-2*XXP-1Y-00A (H)

核准 (Approval):	图号 (Drawing NO.):	
审核 (Audit):	单位 (Units): mm	页码 (Page): 1/1
设计 (Design):	比例 (Scale): FULL	版次 (Version): T0