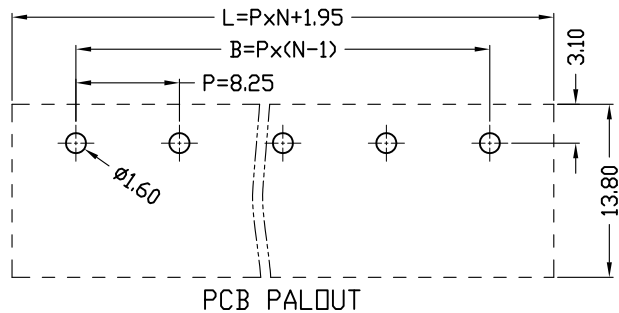
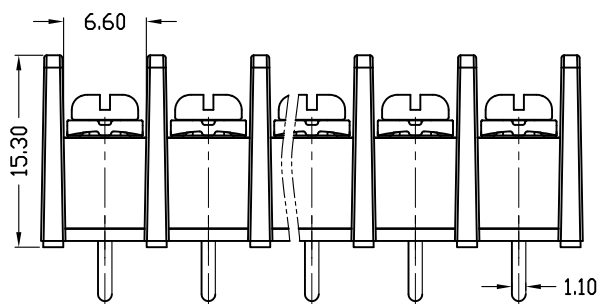
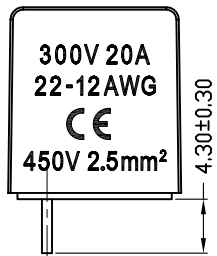
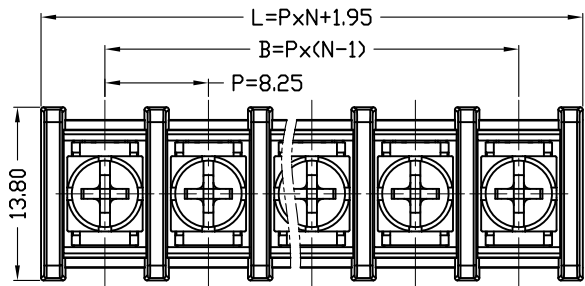


|                 |                        |                        |
|-----------------|------------------------|------------------------|
| 版次<br>(Version) | 变更内容<br>(Rev. Content) | 变更者<br>(Change Person) |
|                 |                        |                        |
|                 |                        |                        |



| 技术参数 (Technical Data)                   |                                   |          |
|---|-----------------------------------|----------|
| 项目 (Item)                               | UL                                | IEC      |
| 额定电气参数<br>(Rated Electrical Parameters) | 300V/20A                          | 450V/24A |
| 压线范围 (Wire Range)                       | 22~12AWG                          | 2.5mm²   |
| 工频耐压<br>(Frequency Voltage)             | AC 2500V                          |          |
| 冲击耐压<br>(Rated Surge Voltage)           | 4000V                             |          |
| 绝缘阻抗<br>(Insulation Resistance)         | DC500V 500MΩ above                |          |
| 接触电阻<br>(Contact Resistance)            | ≤8mΩ                              |          |
| 剥线长度 (Stripping Length)                 | 6~7mm                             |          |
| 工作温度 (Temperature)                      | -40°C~+105°C                      |          |
| 材质和电镀 (Material and plating)            |                                   |          |
| 绝缘材质 (Housing)                          | PA66 (UL94 V-0)                   |          |
| 触点材料 (Contact)                          | 铜合金, 镀锡 (Copper alloy, Sn plated) |          |
| 螺丝 (Screws)                             | 钢, 镀镍 (Steel, Nickel plating)     |          |

产品命名编码:

(Product Number Code):

GSA30S-8.25-XXP-1Y-00A (H)

产品型号 (Series No.)

客户需求

(Customer Request)

极数 (No. of poles)

塑体颜色 (Housing Color)

- 1: 单倍间距 (Single Pitch)
- 2: 双倍间距 (Double Pitch)

- 1: 绿色 (Green)
- 2: 蓝色 (Blue)
- 3: 黑色 (Black)
- 4: 灰色 (Grey)
- 5: 橙色 (Orange)
- 6: 红色 (Red)
- 7: 透明色 (Transparent)
- 8: 白色 (White)
- 9: 黄色 (Yellow)
- Y: 多种颜色 (Mixed Color)

P=8.25mm, N为孔位数 (N for hole digits), 有效位数为 (Significant Digits): 02P~26P

| N | 02P    | 03P    | 04P    | 05P    | 06P    | 07P    | N | 08P    | 09P    | 10P    | 11P    | 12P    | 13P    | 14P    |
|---|--------|--------|--------|--------|--------|--------|---|--------|--------|--------|--------|--------|--------|--------|
| L | 18.45  | 26.70  | 34.95  | 43.20  | 51.45  | 59.70  | L | 67.95  | 76.20  | 84.45  | 92.70  | 100.95 | 109.20 | 117.45 |
| B | 8.25   | 16.50  | 24.75  | 30.00  | 41.25  | 49.50  | B | 57.75  | 66.00  | 74.25  | 82.50  | 90.75  | 99.00  | 107.25 |
| N | 15P    | 16P    | 17P    | 18P    | 19P    | 20P    | N | 21P    | 22P    | 23P    | 24P    | 25P    | 26P    |        |
| L | 125.70 | 133.95 | 142.20 | 150.45 | 158.70 | 166.95 | L | 175.20 | 183.45 | 191.70 | 199.95 | 208.20 | 216.45 |        |
| B | 115.50 | 123.75 | 132.00 | 140.25 | 148.50 | 156.75 | B | 165.00 | 173.25 | 181.50 | 189.75 | 198.00 | 206.25 |        |

**宁波高胜电子有限公司**  
NINGBO GOOSVN ELECTRONIC CO.,LTD

公差范围 (Tolerance Range)

|            |        |
|------------|--------|
| 150~       | ±1.50  |
| 60~150     | ±1.00  |
| 30~60      | ±0.60  |
| 6~30       | ±0.40  |
| 0~6        | ±0.25  |
| 角度 (Angle) | X ±2°  |
|            | XX ±1° |

型号 (Type): GSA30S-8.25-XXP-1Y-00A (H)

|                |                                   |
|----------------|-----------------------------------|
| 核准 (Approval): | 图号 (Drawing NO.):                 |
| 审核 (Audit):    | 单位 (Units): mm 页码 (Page): 1/1     |
| 设计 (Design):   | 比例 (Scale): FULL 版次 (Version): T0 |