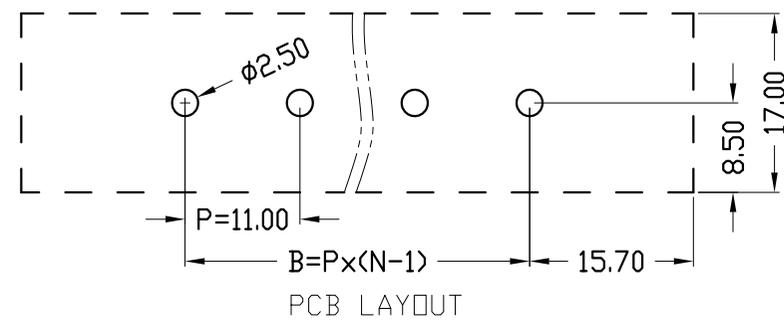
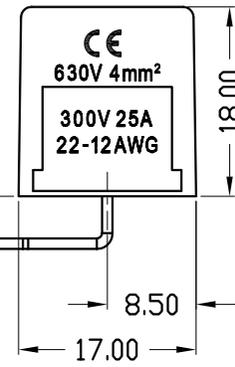
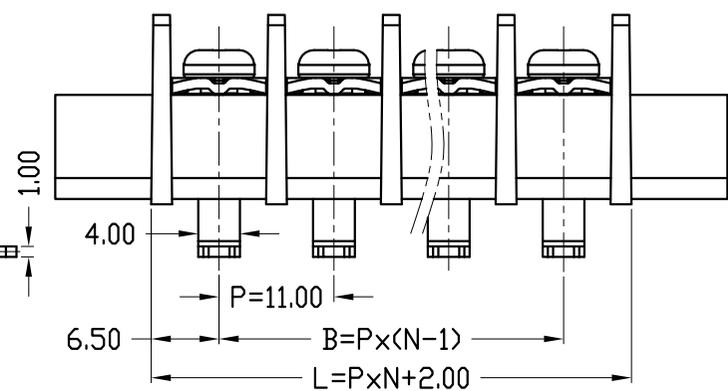
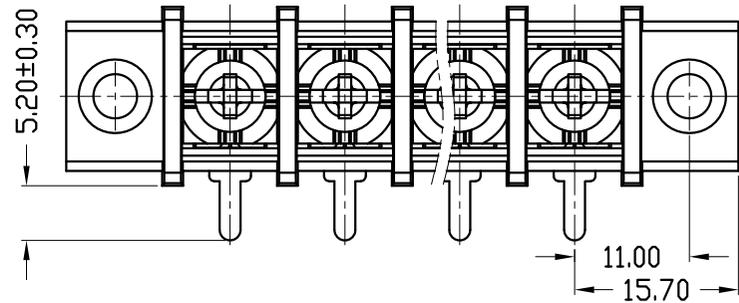


版次 (Version)	变更内容 (Rev. Content)	变更者 (Change Person)



技术参数 (Technical Data)		
项目 (Item)	UL	IEC
额定电气参数 (Rated Electrical Parameters)	300V/25A	630V/32A
压线范围 (Wire Range)	22~12AWG	4.0mm ²
工频耐压 (Frequency Voltage)	AC 2500V	
冲击耐压 (Rated Surge Voltage)	6000V	
绝缘阻抗 (Insulation Resistance)	DC500V 500MΩ above	
接触电阻 (Contact Resistance)	≤8mΩ	
剥线长度 (Stripping Length)	6~7mm	
工作温度 (Temperature)	-40°C~+105°C	
材质和电镀 (Material and plating)		
绝缘材质 (Housing)	PA66 (UL94 V-0)	
触点材料 (Contact)	铜合金, 镀锡 (Copper alloy, Sn plated)	
螺丝 (Screws)	钢, 镀镍 (Steel, Nickel plating)	

产品命名编码:

(Product Number Code):

GSA65RW-11.0-XXP-1Y-00A(H)

产品型号 (Series No.)

客户需求
(Customer Request)

极数 (No. of poles)

塑体颜色 (Housing Color)

- 1: 单倍间距 (Single Pitch)
- 2: 双倍间距 (Double Pitch)

- 3: 绿色 (Green)
- 4: 蓝色 (Blue)
- 5: 黑色 (Black)
- 6: 灰色 (Grey)
- 7: 透明色 (Transparent)
- 8: 白色 (White)
- 9: 黄色 (Yellow)
- Y: 多种颜色 (Mixed Color)

P=11.0mm, N为孔位数 (N for hole digits), 有效位数为 (Significant Digits): 02P~24P													
N	02P	03P	04P	05P	06P	07P	N	08P	09P	10P	11P	12P	13P
L	24.00	35.00	46.00	57.00	68.00	79.00	L	90.00	101.00	112.00	123.00	134.00	145.00
B	11.00	22.00	33.00	44.00	55.00	66.00	B	77.00	88.00	99.00	110.00	121.00	132.00
N	14P	15P	16P	17P	18P	19P	N	20P	21P	22P	23P	24P	
L	156.00	167.00	178.00	189.00	200.00	211.00	L	222.00	233.00	242.00	253.00	266.00	
B	143.00	154.00	165.00	176.00	187.00	198.00	B	209.00	220.00	231.00	242.00	253.00	

宁波高胜电子有限公司 NINGBO GOOSVN ELECTRONIC CO.,LTD	公差范围 (Tolerance Range)	
	150~	±1.50
型号 (Type): GSA65RW-11.0-XXP-1Y-00A (H)	60~150	±1.00
	30~60	±0.60
核准 (Approval):	6~30	±0.40
	0~6	±0.25
审核 (Audit):	角度 (Angle)	X ±2°
	XX	±1°
设计 (Design):	单位 (Units): mm	页码 (Page): 1/1
	比例 (Scale): FULL	版次 (Version): T0