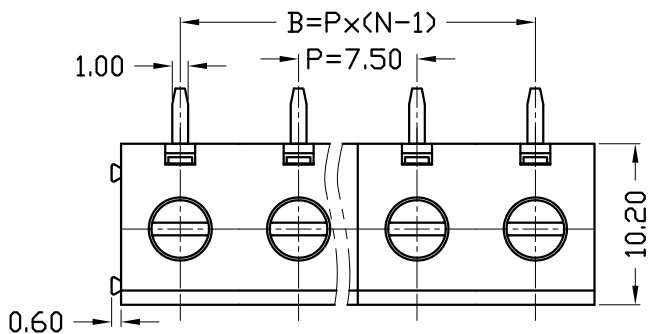


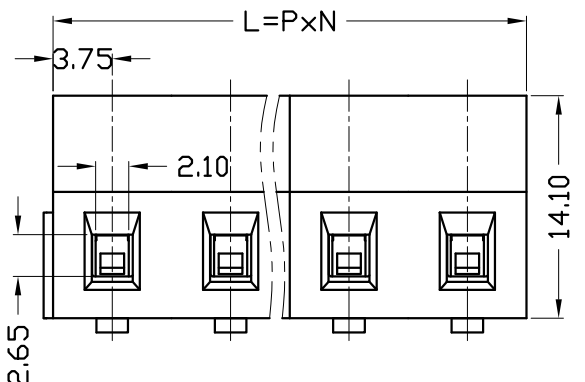
1 2 3 4 5 6 7 8

版次 (Version)	变更内容 (Rev. Content)	变更者 (Change Person)

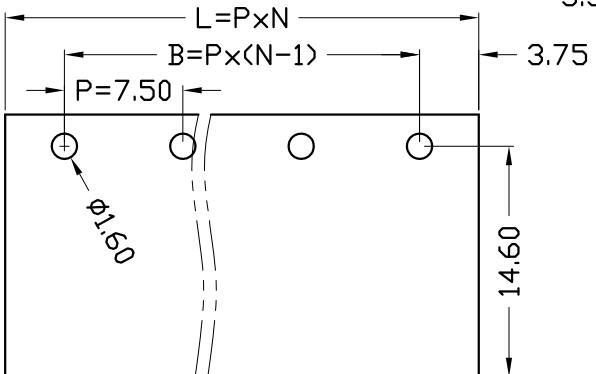
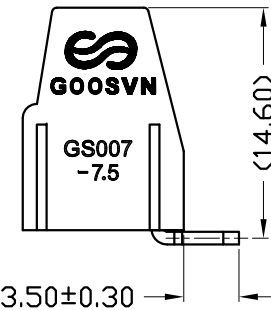
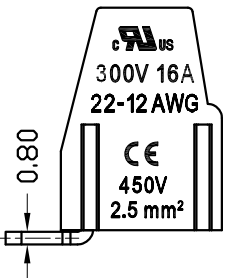
A



B



C



PCB LAYOUT

P=7.50mm, N为孔位数 (N for hole digits), 有效位数为 (Significant Digits): 02P, 3P~XXP

N	02P	03P	04P	05P	06P	07P	08P	09P	10P	11P	12P	13P
L	15.00	22.50	30.00	37.50	45.00	52.50	60.00	67.50	75.00	82.50	90.00	97.50
B	7.50	15.00	22.50	30.00	37.50	45.00	52.50	60.00	67.50	75.00	82.50	90.00
N	14P	15P	16P	17P	18P	19P	20P	21P	22P	23P	24P	...
L	105.00	112.50	120.00	127.50	135.00	142.50	150.00	157.50	165.00	172.50	180.00	
B	97.50	105.00	112.50	120.00	127.50	135.00	142.50	150.00	157.50	165.00	172.50	

E

技术参数 (Technical Data)

项目 (Item)	UL	IEC
额定电气参数 (Rated Electrical Parameters)	300V/16A	450V/18A
压线范围 (Wire Range)	24~12AWG	2.5mm ²
工频耐压 (Frequency Voltage)	AC 2500V	
冲击耐压 (Rated Surge Voltage)	4000V	
绝缘阻抗 (Insulation Resistance)	DC500V 500MΩ above	
接触电阻 (Contact Resistance)	≤8mΩ	
剥线长度 (Stripping Length)	6~7mm	
工作温度 (Temperature)	-40°C~+105°C	

材质和电镀 (Material and plating)

绝缘材质 (Housing)	PA66 (UL94 V-0)
触点材料 (Contact)	铜合金, 镀锡 (Copper alloy, Sn plated)
螺丝 (Screws)	钢, 镀锌 (Steel, Zn plated)
方盒 (Cage)	铜合金, 镀镍 (Copper alloy, Ni plated)

产品命名编码:

(Product Number Code):

GS007R-7.5-XXP-1Y-00A (H)

产品型号 (Series No.)

客户需求

(Customer Request)

极数 (No. of poles)

塑体颜色 (Housing Color)

- 1: 单倍间距 (Single Pitch)
- 2: 双倍间距 (Double Pitch)

- 1: 绿色 (Green)
- 2: 蓝色 (Blue)
- 3: 黑色 (Black)
- 4: 灰色 (Grey)
- 5: 橙色 (Orange)
- 6: 红色 (Red)
- 7: 透明色 (Transparent)
- 8: 白色 (White)
- 9: 黄色 (Yellow)
- Y: 多种颜色 (Mixed Color)

GOOSVN 宁波高胜电子有限公司
NINGBO GOOSVN ELECTRONIC CO.,LTD

公差范围 (Tolerance Range)	
150~	±1.50
60~150	±1.00
30~60	±0.60
6~30	±0.40
0~6	±0.25

型号 (Type): GS007R-7.5-XXP-1Y-00A (H)

核准 (Approval):

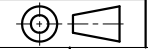
图号 (Drawing NO.):

审核 (Audit):

单位 (Units): mm 页码 (Page): 1/1

设计 (Design):

比例 (Scale): FULL



版次 (Version): T0

E

1 2 3 4 5 6 7 8